

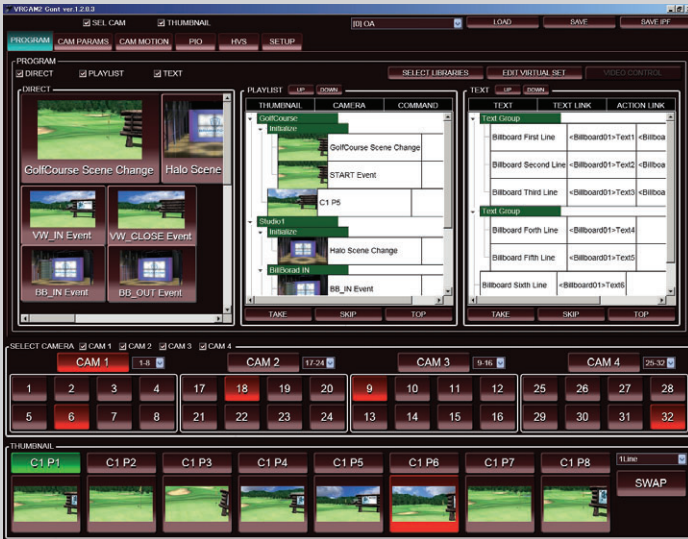
VRCAM2

Sensor-less Virtual Studio System

VRCAM, FOR-A's sensor-less virtual studio system enabling a virtual studio using a one-man-operated, no-cameraman environment, has been updated to the VRCAM2 with even more advanced features. The VRCAM2 system includes expanded camera positions, sensed cameras, and a host of other useful additional functions for program production.

Basic configuration

- PC: Z800 (Hewlett-Packard) or equivalent product
- Graphics card: Quadro 5000 (NVIDIA) or equivalent product
- CG processor: MBP-1244 (FOR-A), Chroma keyer: MBP-12CK (FOR-A)
- VRCAM2 software (VRCAM2 Proc, VRCAM2 Cont)
- Brainstorm eStudio license (Selectable from Engine Save, Desktop, and Global)
- OS: Windows XP 32 bit



Main Features and Functions

■ Scene control

- Scene change: Enables instant switching of multiple CG sets
- Object edit: Allows position, size, angle, color and texture editing (editable parameters may be limited for certain content).
- Video wall function (HD/SD-SDI input)

■ Camera control

- Maximum of four virtual cameras: Up to 32 positions can be set per camera.
- Keyframe setting: Keyframe processes between virtual cameras allow non-linear movement as well as linear camera work.
- Keyframe editing: Enables changes to movement speed and acceleration and addition of stopping points
- Scene transitions: Cut, wipe, show/hide object, walk-in, and a wide array of other scene transitions
- Sensed camera support: Enables mixed configurations using two of the four cameras as sensed cameras.

■ Effects

- Defocus control: Enables effective presentation of background subject close-ups.
- Animation effects: A wide variety of animations (special effects) can be added for the subject.
- Allows audio files (sound effects) linked to effects to be specified.

■ Playlists

- One-touch operation: Camera switching, subtitles, captions, scene transitions, among other scheduled actions, can be saved sequentially onto a playlist, and scene takes alone during a live program enable programmed timeline effects.
- Multiple events can be registered as a single action

■ Direct buttons

- Usage with a playlist enables the program timeline to be maintained while allowing composition changes and presentations that give a sense of actually being in the audience for live broadcasts.

■ Text input

- Animated text can be displayed by simply selecting a template and entering the text.
- Text insertion times can be registered to the playlist.

■ Various control functions

- Video and audio file playback control: Each operation can be registered to a playlist.
- FOR-A MBP-100 Series MXF Clip Server can be used to control through thumbnail selection operation.
- Linkage with FOR-A DRS Series Routing Switcher for camera switching.

- Linkage with the HANABI Series Video Switcher (HVS-300HS/HVS-350HS) for assigning cameras and camera position selection to video switcher bus buttons and enabling control on the video switcher-side.

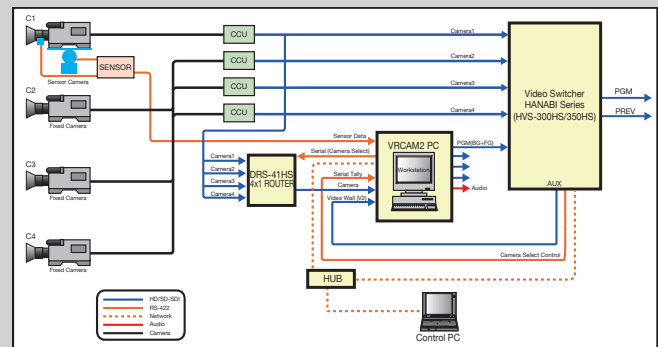
- Support for external remote control, external device control, and tally output (contact control).

- Linkage with the HANABI Series Video Switcher (HVS-300HS/HVS-350HS) for assigning cameras and camera position selection to video switcher bus buttons and enabling control on the video switcher-side.

- Support for external remote control, external device control, and tally output (contact control).

■ Other functions

- eLibrary: More than 160 royalty-free CG sets that can be used as program sets are available.
- Parameter settings: Supports precise adjustment using



FOR-A Company Limited / Head Office (Japan):
USA (CA) / FOR-A America Corporate Office:
USA (NJ) / FOR-A America East Coast Office :
USA (FL) / FOR-A America Distribution & Service Center :
USA (FL) / FOR-A America Miami Office :

+81 (0)3-3446-3936
+1 714-894-3311
+1 201-944-1120
+1 352-371-1505
+1 305-931-1700

CANADA (Toronto) / FOR-A Corporation of Canada : +1 416-977-0343
UK (London) / FOR-A UK Limited : +44 (0)20-8391-7979
ITALY (Milan) / FOR-A Italia S.r.l. : +39 039-881-086/103
KOREA (Seoul) / FOR-A Corporation of Korea : +82 (0)2-2637-0761
CHINA (Beijing) / FOR-A China Limited : +86 (0)10-8721-6023