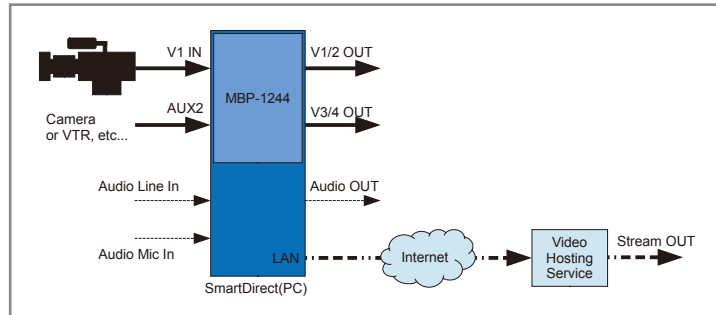


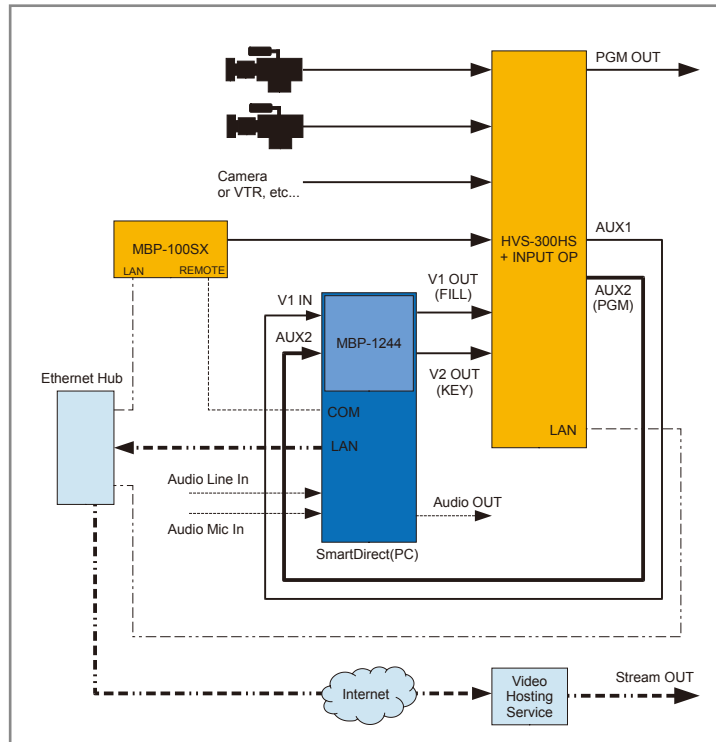
Examples of system configuration

Basic configuration of standalone SmartDirect



- Enables video signal input to SmartDirect (HD/SD-SDI × 2)
- Enables video output from SmartDirect (HD/SD-SDI × 4)
- Provided with streaming video distribution function for uploading live video to the Internet via the Internet video distribution service.*

Basic configuration of SmartDirect connected with external equipment such as video switcher and clip server



- Enables various types of video signal inputs to the video switcher
- Sends control signals to all connected equipment (Ethernet, RS-422, etc.)
- Enables signal input from a video switcher to SmartDirect (HD/SD-SDI)
- Enables video output from SmartDirect (HD/SD-SDI × 2)
- Provided with streaming video distribution function for uploading live video to the Internet via the Internet video distribution service.*

* You must sign up separately to the Internet video distribution service. Also separately procure the encoding software provided with support for each service. Be sure to comply with the terms and conditions of each video distribution service regarding distribution of the video content.

Turnkey system configuration equipment

- PC: HP Z420 or equivalent
- Graphics card: NVIDIA Quadro 2000 or equivalent
- CG processor: MBP-1244
- Production software: SmartDirect
- CG rendering engine: Brainstorm Easy On Air Graphics
- Various templates
- HVS-300HS/HVS-350HS control plug-in software
- MBP-100PD/MBP-100SX/MBP-110SXA control plug-in software
- OS: Microsoft Windows 7 Professional 32-bit SP1 or later

FOR-A COMPANY LIMITED

Head Office: 3-8-1 Ebisu, Shibuya-ku, Tokyo 150-0013, Japan

FOR-A Corporation of America: 11155 Knott Ave., Suite G&H, Cypress, CA 90630, U.S.A.

FOR-A Corporation of America East Coast Office: 2 Executive Drive, Suite 670, Fort Lee Executive Park, Fort Lee NJ 07024, U.S.A.

FOR-A Corporation of America Distribution & Service Center: 2400 N.E. Waldo Road, Gainesville, FL 32609, U.S.A.

FOR-A Corporation of America Miami Office: 5200 Blue Lagoon Drive, Suite 760, Miami, FL 33126, U.S.A.

FOR-A Corporation of Canada: 346A Queen Street West, Toronto, Ontario M5V 2A2, CANADA

FOR-A UK Limited: Unit C71, Barwell Business Park, Leatherhead Road, Chessington Surrey, KT9 2NY, UK

FOR-A Italia S.r.l.: Via Volturmo, 37, 20047, Brugherio MB, Italy

FOR-A Corporation of Korea: 1007, 57-5, Yangsan-ro, Yeongdeungpo-gu, Seoul 150-103, Korea

FOR-A China Limited: 708B Huateng Building, No. 302, 3 District, Jinsong, Chaoyang, Beijing 100021, China

FOR-A Middle East-Africa Office: Jebel Ali Free Zone, LOB-16, Office 619, P.O. Box 261914, Dubai, U.A.E.

URL: <http://www.for-a.com/>

Tel : +81 (0)3-3446-3936 Fax : +81 (0)3-3446-1470

Tel: +1-714-894-3311 Fax: +1-714-894-5399

Tel: +1-201-944-1120 Fax: +1-201-944-1132

Tel: +1-352-371-1505 Fax: +1-352-378-5320

Tel: +1-305-931-1700 Fax: +1-305-264-7890

Tel: +1-416-977-0343 Fax: +1-416-977-0657

Tel: +44 (0)20-8391-7979 Fax: +44 (0)20-8391-7978

Tel: +39-039-881-086/103 Fax: +39-039-878-140

Tel: +82 (0)2-2637-0761 Fax: +82 (0)2-2637-0760

Tel: +86 (0)10-8721-6023 Fax: +86 (0)10-8721-6033

Tel: +971 4 887 6712 Fax: +971 4 887 6713

ISO 9001 and 14001 certified (Sakura R&D)

© 2013 FOR-A Company Ltd. FOR-A is a registered trademark of FOR-A Company Ltd. Design and specifications subject to change without notice. Printed in Japan. 1301FJ2B

All-in-One Live Production System
SmartDirect

FOR.A[®]
INNOVATIONS IN VIDEO
and AUDIO TECHNOLOGY

ALL-IN-ONE LIVE PRODUCTION SYSTEM
SMARTDIRECT
POWERED BY BRAINSTORM



SmartDirect is a complete video production system that allows single operator to easily create an entire show. The system is based around an advanced 3D graphic engine, but adds a myriad of features including event list playback/control, CG Titles, Graphs, camera switching and video distribution IP streaming. In addition you can control outboard equipment such as video switchers and dedicated clip servers. A full sensor-less virtual studio is available as an option.

Main Features of SmartDirect

Program samples

- A variety of pre-made Program Samples are provided with complete event lists and templates.
- These can be modified for the specific needs of your video production, or you can create full programs from scratch.

Playlist/Direct button

- The Playlist enables a single operator to trigger all the graphics, titles, video playback and camera switching required for your production.
- Program Samples contain playlists that can be modified for the specific needs of your production.
- Playlists can also be created from scratch using simple operations to select the necessary items from the provided templates.
- Templates are specific events in the playlist and cover CG Graphics, internal or external video playback, camera switching and more. Templates can be added to the playlist to be recalled in sequence or can be individually recalled and activated.
- Direct buttons are used to trigger specific events in playlists. They are very useful when you need to change the order of events in the playlist or trigger specific events on the fly.

Templates

- A wide variety of templates are provided for your production needs.
- Graphic templates can be created using Adobe Photoshop®
- Full 3D graphic templates can be created using Brainstorm eStudio.

<Template example>

Character generator

- The Character generator easily creates a variety of titles and graphics, with or without animation.
- It outputs Fill/Key signals for compositions using an external mixer

Clip player

- The Clip player allows you to play back internal video files
- It supports playback of HD resolution video in a variety of file types.

Map data

- The Map data creates still images or animate maps
- It adds text or objects to maps

Streaming feature

- SmartDirect features a newly developed internal pipeline that transfers the PGM output of SmartDirect to Internet video distribution software. This means that Smart Direct can also offer streaming to the Internet in a one box solution.

* You must sign up separately to the Internet video distribution service.



USTREAM,
YouTube,
Nico Nico Douga,
compatible



Playlist 3D graph template



3D title template



Weather forecast template



CG wipe template



P-in-P template

Optional Features

Virtual studio

- This feature adds VRCAM-S, virtual studio capability
- It allows sensor-less virtual camera motion
- * Chroma-key blue/green cyc or backdrop required

Clip server link

- The Clip server link controls external clip servers
- It displays output images of the clip server as an input source
- * Targeted models:
MBP-100PD, MBP-100SX,
MBP-110SXA



Video switcher link

- An elaborate video switcher control provides a full range of switcher functions and effects including CG wipes or multi-screen wipes.
- It enables playlist template control over the video switcher
- * Targeted models: HVS-300HS, HVS-350HS



SmartDirect and content creation

Preparations

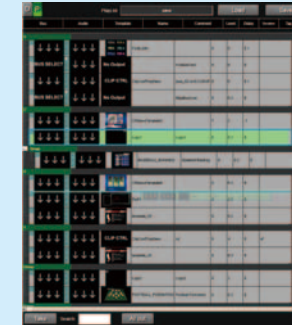
1. Select a sample program

SmartDirect provides many sample programs to facilitate content creation. Select the program that best suits your application including news, sports or presentation.



2. Playlist edit

Make detailed edits to the selected sample program to suit the specific needs of your show. Create the playlist you imagined by adding segments, changing the order or using different templates.



3. Template edit

When your playlist is ready, edit the template content to match the needs of your production.

You can finish your own original program by changing the content of the titles, switching data, changing colors and making other detailed revisions.



4. Program a Direct button function

You can program a Direct button with a specific function among the templates or playlists you want to operate directly, independent of the playlist workflow. This feature is perfect for productions without a specific timeline of events or when the unexpected happens during live production.



The Playlist and the Take Button

1. Load the program, and click the TAKE button!
It is that easy to start the playlist action for your live production.

All of the necessary operations are implemented automatically, such as switching cameras, turning captions on and off and playing back video. You can choose to automate everything, or leave a few steps for manual operation. Tasks that would normally require several behind-the-scenes staff members can now be performed by a single director.



2. Use Direct buttons for random events!

Occasionally, during an actual show, the action does not follow a playlist that has been finished in advance. When this happens, click the Direct button that you pre-programmed with specific actions like camera switching, titles or video playback. This feature means you can have a flexible production flow including the ability to improvise outside the set playlist that only a live performance can offer.



Hint on using the SmartDirect TAKE and Direct button features

- Create a playlist for portions of your show that have a fixed flow of content such as the opening and ending, and then press TAKE!
- Program a Direct button with actions such as switching cameras, turning captions on/off and playing back video for on-the-fly improvisation of content.