

FA-9520

Quick Setup Guide

Packing list	
FA-9520:	1
Quick Setup Guide:	1
AC cord with retaining clips:	1 set
Rack mount bracket set:	1 set

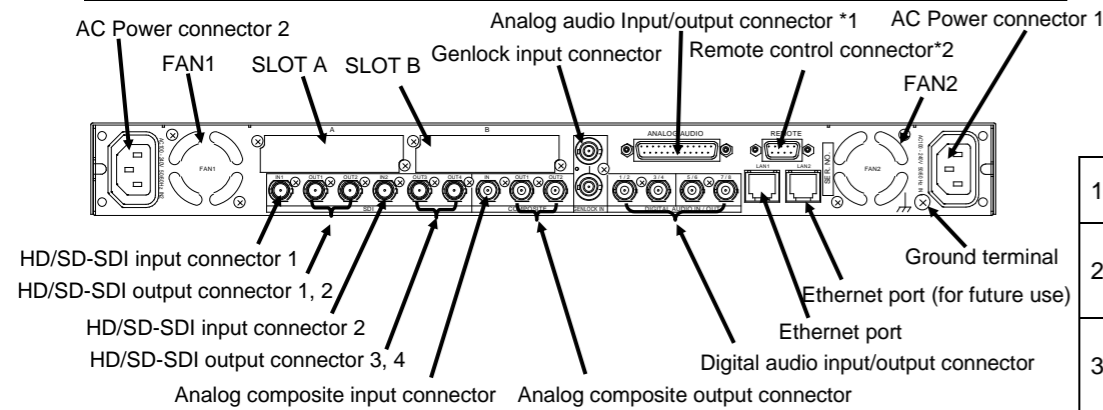
Visit the FOR-A website, register your email address and download manuals and other documents from the FA-9520 page. FA-95LG software and manual can also be downloaded from the page.
<https://www.for-a.com/>



The FA-9520 has 2 operational modes; FA-9500 mode, in which the unit operates/functions almost the same as the former FA-9500, and FA-9520 mode with 2 independently operational frame synchronizers. This quick setup guide mainly describes operation in FA-9520 mode. To change the mode, see User Manual section 7-2. "MU OPERATION".



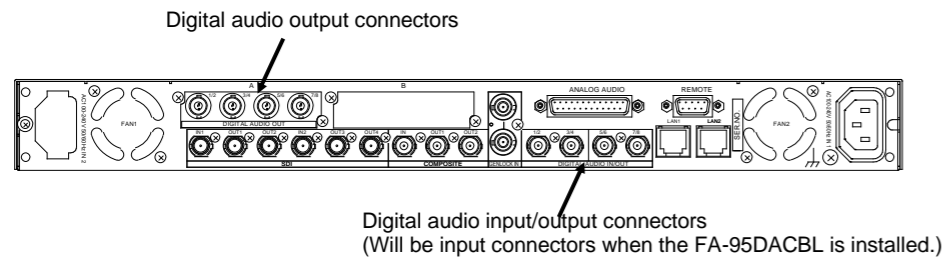
1. Rear Connectors



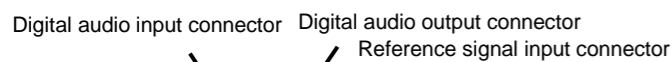
*1 Refer to the User Manual section 12. "Analog Audio Connection" for details on the Analog audio connector.

*2 Refer to the User Manual section 14. "REMOTE" for details on the Remote control connector.

◆ FA-95DACBL option



◆ FA-95D-D/DE-E option



◆ FA-95AIO option

Analog component input/output connector (use with the supplied PC-3307-1 cable.) Refer to sec. 16. FA-95AIO Option for details on connectors.

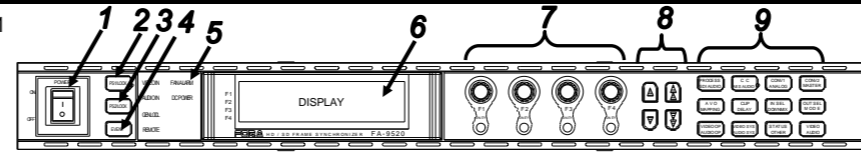


2. Installing the AC Cord Retaining Clip

After connecting the AC cord, secure the AC cord with the supplied ladder strap/retaining clip assembly to prevent accidental removal from the FA-9520. Be sure to install the AC cord retaining clip before mounting the unit into a rack.

- 1) Wrap the retaining clip around the AC cord. (with the anchor of the ladder strap toward the unit.)
- 2) Insert the anchor into the hole next to the AC IN socket.
- 3) Lightly fasten the clip around the AC cord.
- 4) Plug in the power cord.
- 5) Slide the clip on the ladder strap toward the plug.
- 6) Fasten the clip tightly.
- 7) Gently pull on the AC cord to ensure it is secured.

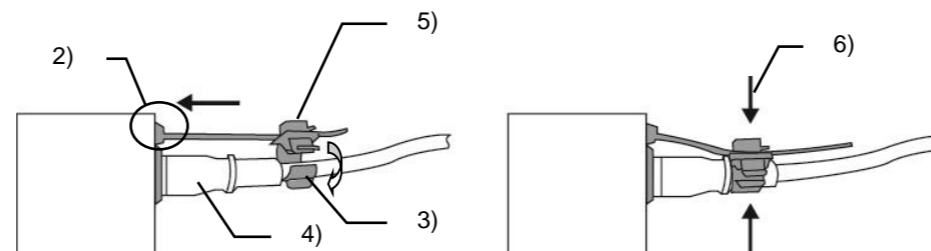
3. Front Operation Panel



1	POWER switch	Pressing the " " side turns on the power.				
2	FS1/LOCK button	Used to select FS1. Press and hold down to lock the front panel operation. Press and hold down again to unlock. In the FA-9520 mode, locks only the operation for FS1.				
3	FS2/LOCK button	Used to select FS2. In the FA-9520 mode, locks the front panel operation for FS2 when pressed and held down. Press and hold this button down again to unlock.				
4	EVENT button	Used to save and load events.				
5	VIDEO IN	green	Input signal present in FS1/FS2	REMOTE	green	CONTROL SETTING is set to REMOTE
		Unlit	No input signal in FS1/FS2		Unlit	CONTROL SETTING is set to LOCAL
	AUDIO IN	green	Assigned audio signal present	DC POWER	Red	Power failure
		Unlit	No assigned audio signal		Unlit	Normal power supply
	GENLOCK	green	Genlock signal present	FAN ALARM	Red	Fan failure
		Unlit	No genlock signal input		Unlit	All fans normal
6	Menu display	Used to display menus and make operational settings				
7	Controls (F1-F4) UNITY buttons	Used to change operational settings. Turn and select values. The Unity buttons return the settings to the default values.				
8	Arrow buttons	Single-arrow	Used to move between parameters. (Lights if accessible)			
		Double-arrow	Used to move between menus. (Lights if accessible)			
9	Menu buttons	Used to select menus.				

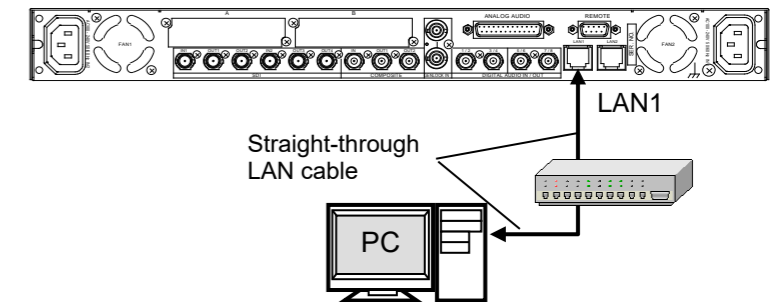
Make sure that the FS1/LOCK and FS2/LOCK button LEDs are lit green or unlit before starting an operation. If FS1/LOCK and/or FS2/LOCK button LED(s) are lit orange, all operations on the front panel for FS1 and/or FS2 except the LOCK button(s) are disabled. Press and hold the FS1/LOCK and/or FS2/LOCK button(s) that are lit orange to unlock the operations.

* Complete connections before turning the power of the unit on.



4. Connecting a Computer

◆ Connection using a hub



Direct connection using a crossover LAN cable is also possible.

The FA-9520 network settings must be adjusted for your network after purchase.

- The FA-9520's LAN1 IP address is set to 192.168.0.10 at the factory.
- Set the IP address and subnet mask of the computer as follows:
 IP address: 192.168.0.1 to 192.168.0.254 (except 192.168.0.10)
 Subnet mask: 255.255.255.0

In Windows, open the **Local Area Connection Properties** dialog box, and open the **Internet Protocol (TCP/IP) Properties** window. The network settings must be made in the window. See the user's manual of your computer for details.

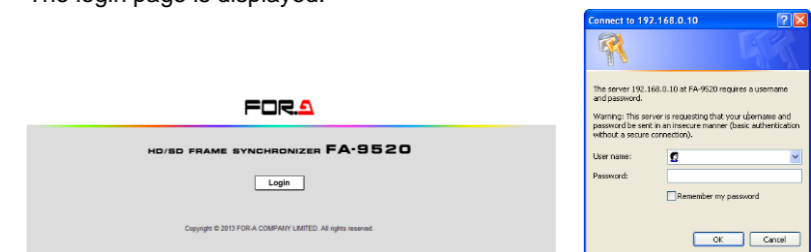
See section 9-8 "Network Settings" for details on changing the FA-9520's IP address.

The FA-9520's IP address can be checked in the NETWORK INFO menu (menu page 197). To go to the NETWORK INFO menu, press the STATUS/OTHER button, then a single-arrow button.

5. Connecting via a WEB Browser

Open a web browser on your computer, and enter the address as <http://192.168.0.10/> (factory default setting) in the address bar.

Press the [Enter] key to connect to the FA-9520. The login page is displayed.



Click **Login**.

The authentication dialog appears.

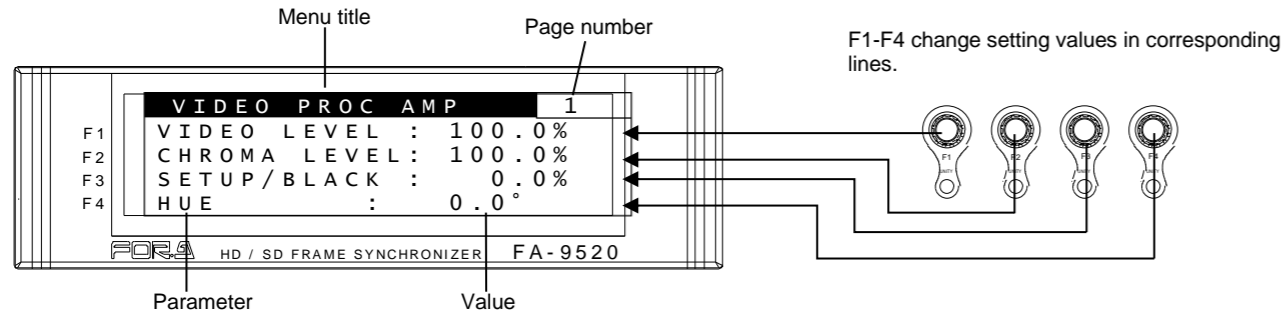
Enter your user name and password. (The default user name and password are set at the factory.)

User name: fa9520

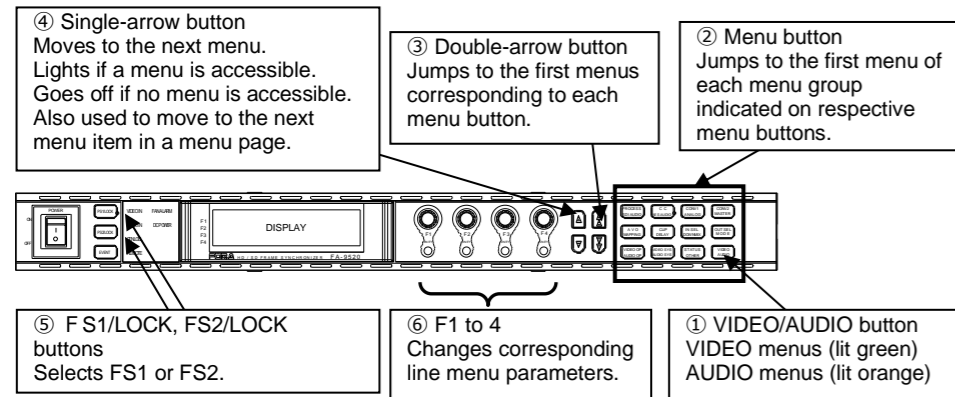
Password: foranetwork

See section 9. "Control via WEB Browser" for details on Web browser control screens.

6. Menu Display



7. Menu Operation



- Select VIDEO or AUDIO by the VIDEO /AUDIO button. Every press of the VIDEO/AUDIO button alternates the menu button assignments between video and audio menus. The button indicators light green when the buttons are accessible to video menus that are indicated on the top row of each menu button. They light orange when they are accessible to audio menus that are indicated on the bottom row of each menu button.
- Press a menu button to select a menu group that includes the desired menu.
- Move to the desired menu using double-arrow and/or single-arrow buttons. The single-arrow buttons allow you to move between menus if the selected menu button has multiple menu pages in the category. The single-arrow button lights up when there are more menus to be accessed in the direction. If the single-arrow button is unlit, the direction is not accessible. The double-arrow buttons allow you to go to menus indicated with \diamond in the menu list.
- The FS1/LOCK or FS2/LOCK button lights green as well as the selected VIDEO button for menus in which settings can be set for FS1 and FS2 separately. If the FS1/LOCK button is pressed and lit green, settings for FS1 are enabled. Settings for FS2 are enabled in the same manner.
- F1 to F4 control knobs allow you to change the value of respective lines. Turn the operative control knob of an LED that is lit to change the value.

FA-9520 Option Items	
Option Cards:	FA-95DACBL FA-95AIO (with PC-3307-1 cable) FA-95ALA
Software option:	A-95CO
Other options:	FA-95PS (with AC cable and cable clamps) FA-95RU FA-10DCCRU

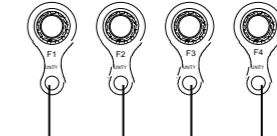
9. LINK Settings

LINK setting menus shown with \odot in the menu list, allows you to change values for FS1 and FS2 simultaneously. Open a LINK setting menu, then press both the FS1/LOCK and FS2/LOCK buttons simultaneously. One button turns on and lights green, and the other blinks. "FS1" or "FS2" will be displayed in the space a page number is usually displayed. Changing settings by turning control knob (F1 to F4) for one frame synchronizer will also change the same amount of setting values for the other simultaneously.

10. Resetting to Default

The UNITY indicator light goes off when the setting value is changed from the default value. Pressing the UNITY button while the light is off returns the corresponding setting value to the default value. Then the light goes off. Pressing the button again returns the value to the previous value before resetting to the default value.

* The above procedure is in NORMAL mode. Normally the unit starts up in NORMAL mode. There is another mode called **LIVE SAFE** mode, in which some menus request a setting change confirmation to protect important settings from accidental changes. If the unit is in LIVE SAFE mode, see sec. 4-2-7. Resetting to Default.



Press the UNITY button to reset the value. The indicator lights up orange.

8. Menu List (in FA-9520 mode)

Menu Button	VIDEO menus (lit green)	AUDIO menus (lit orange)
PROCESS SDI AUDIO	\diamond \odot VIDEO PROC AMP	\diamond EMB1 IN GAIN EMB1 OUT MONO • EMB1 IN SET • EMB1 OUT CLOCK \diamond EMB2 IN GAIN EMB2 OUT MONO • EMB2 IN SET • EMB2 OUT CLOCK
CC AES AUDIO	\diamond \odot WHITE LEVEL \odot BLACK LEVEL	\odot GAMMA LEVEL \odot COLOR CORRECT
CONV1 ANALOG	\diamond \odot CONV MODE \odot CONV SIZE/POS \odot CONV CROPPING	\diamond ANALOG IN LEVEL ANALOG IN GAIN ANALOG OUT LEVEL ANALOG OUT MONO • ANALOG IN SYSTEM
CONV2 MASTER	Not functioning	\diamond MASTER OUT GAIN EMB1 OUT GAIN EMB2 OUT GAIN AES OUT MONO ANALOG OUT GAIN
AVO *1 MAPPING	\diamond \odot AVO SETTING \odot USER1-5 LEVEL SET	\odot USER1-2 AREA SET \odot AVO SETUP *1
CLIP DELAY	\diamond \odot YPbPr/RGB CLIP \odot COMPOSITE CLIP	\diamond EMB1 IN DELAY EMB2 IN DELAY AES IN DELAY ANALOG IN DELAY
IN SEL DOWN MIX	\diamond \odot FS INPUT SELECT \odot ANC DETECT LINE \odot ANC DETECT SEL	• AIO A IN MODE *1 • AIO B IN MODE *2 \diamond DOWN MIX1 SET • DOWN MIX1 ASSIGN \diamond DOWN MIX2 SET • DOWN MIX2 ASSIGN
OUT SEL MODE	\diamond \odot OUTPUT ASSIGN • AIO A ASSIGN *1 • AIO B ASSIGN *2	ANC DATA EMBED ANC EMBED LINE \diamond EMB1 SRC MODE • EMB2 SRC MODE • AES SRC MODE \diamond EMB1 POLARITY • EMB2 POLARITY • AES POLARITY • ANALOG POLARITY
VIDEO OP AUDIO OP	\diamond \odot LOGO SELECT \odot KEYSER SET	\diamond • Dolby AUX OUT A *6*8 • Dolby DEC IN A *6*8 • Dolby DEC REF A *6*8 • Dolby DOWNMIX A *6*8 Dolby DEC GAIN A *6*8 \diamond • Dolby ENC INPUT A *8 • Dolby ENC SET A *8 • METADATA INPUT *8 \diamond LOUD MEASURE 1A *4 LOUD CTRL ENA1A *4 LOUD CTRL SET1A *4 LOUD CH ASGN1A *4 \diamond LOUD MEASURE 2A *4 LOUD CTRL ENA2A *4 LOUD CTRL SET2A *4 LOUD CH ASGN2A *4 \diamond • Dolby AUX OUT B *7*9 • Dolby DEC IN B *7*9 • Dolby DEC REF B *7*9 • Dolby DOWNMIX B *7*9 Dolby DEC GAIN B *7*9 \diamond • Dolby ENC INPUT B *9 • Dolby ENC SET B *9 • METADATA INPUT B *9 LOUD MEASURE 1B *5 LOUD CTRL ENA1B *5 LOUD CTRL SET1B *5 LOUD CH ASGN1B *5 \diamond LOUD MEASURE 2B *5 LOUD CTRL ENA2B *5 LOUD CTRL SET2B *5 LOUD CH ASGN2B *5 \diamond LOUD STANDARD *4*5
VIDEO SYS AUDIO SYS	\diamond \odot FS MODE SET \odot HD PHASE SET \odot SD PHASE SET \odot VIDEO POSITION \diamond FREEZE SET \odot ANC SET \odot ANC LOSS SET \odot WSS AFD ERROR \odot AUDIO GRP \diamond TEST SIGNAL \diamond • BY-PASS SETTING \diamond SD LINE MASK \diamond AFD IN STATUS \odot ANC IN STATUS \odot ANC IN STATUS1~2 \odot ANC OUT \odot S2016 OUT \odot VI OUT \odot WSS OUT \odot ANC OUT1	\diamond • FADE IN/OUT • DIGITAL AUDIO • AUDIO ERR SENSE • DIGITAL SILENCE \diamond NETWORK INFO UNIT Ver. OPTION A Ver. OPTION B Ver. OTHER OPTION SOFT OPTION1 SOFT OPTION2
STATUS OTHER	\diamond UNIT ALARM \diamond VIDEO IN STATUS VIDEO OP INPUT *1*2 \diamond VIDEO OUT STATUS VIDEO OP OUTPUT *1*2 \diamond AUDIO IN DETECT1 AUDIO IN DETECT2 \diamond AUDIO OUTPUT1 AUDIO OUTPUT2 \diamond EMB1 IN AUDIO CH1~16 \diamond EMB2 IN AUDIO CH1~16 \diamond AES IN AUDIO CH1~8 \diamond ANALOG IN AUDIO CH1~4 \diamond SDI1/2 OUT AUDIO CH1~16 \diamond SDI3/4 OUT AUDIO CH1~16 \diamond AES OUT AUDIO CH1~8 \diamond ANALOG OUT AUDIO CH1~4 \diamond Dolby OP A AUX *6*8 \diamond Dolby OP B AUX *7*9 \diamond AFD IN STATUS \odot ANC IN STATUS \odot ANC IN STATUS1~2 \odot ANC OUT \odot S2016 OUT \odot VI OUT \odot WSS OUT \odot ANC OUT1	\diamond FS1/FS2 COPY MU OPERATION \diamond CONTROL SETTING \diamond FRONT OPERATION FRONT PANEL SET \diamond GPI SETTING
VIDEO AUDIO	VIDEO menus	AUDIO menus

<Comments on the menu list>

- \diamond Can be navigated to using double (up and down) arrow buttons. " \diamond " is not shown in the menu display.
 - \odot Settings for FS1 and FS2 can be selected or verified separately using the FS1 or FS2 button. \odot Can change settings for FS1 and FS2 simultaneously in LINK mode. " \odot " and " \odot " are not shown in the menu display.
 - When changed in LIVE SAFE mode, single (up and down) arrow buttons and the LED around the control knob of which setting is changed blink confirming the setting change.
- *1 Shown if the FA-95AIO is installed in option slot A.
*2 Shown if the FA-95AIO is installed in option slot B.
*3 Hidden if the FA-95DACBL is installed.
*4 Shown if the FA-95ALA is installed in option slot A.
*5 Shown if the FA-95ALA is installed in option slot B.
*6 Shown if the FA-95D-D is installed in option slot A.
*7 Shown if the FA-95D-D is installed in option slot B.
*8 Shown if the FA-95DE-E is installed in option slot A.
*9 Shown if the FA-95DE-E is installed in option slot B.

Precautions

- Operate the unit **only** at the specified supply voltage.
- Ensure** the unit is properly grounded at all times.
- Ensure** the power cord and connectors are firmly connected.
- Do not** access circuitry with power applied to the unit.
- Unit **should not** be operated or stored with the cover, panels, and/or casing removed.
- Unit **should not** be operated or stored in a humid, dusty, etc. environment. Doing so could result in fire or electrical shock.
- Do not** allow fluids, metal fragments, or any other foreign objects to enter the unit. If foreign matter does enter the unit, turn the power off and disconnect the power cord immediately. Remove the material or contact your authorized service representative
- If you notice any strange smells or noises coming from the unit, turn the power off immediately, turn OFF the power switch, disconnect the power cord, then contact your authorized service representative.